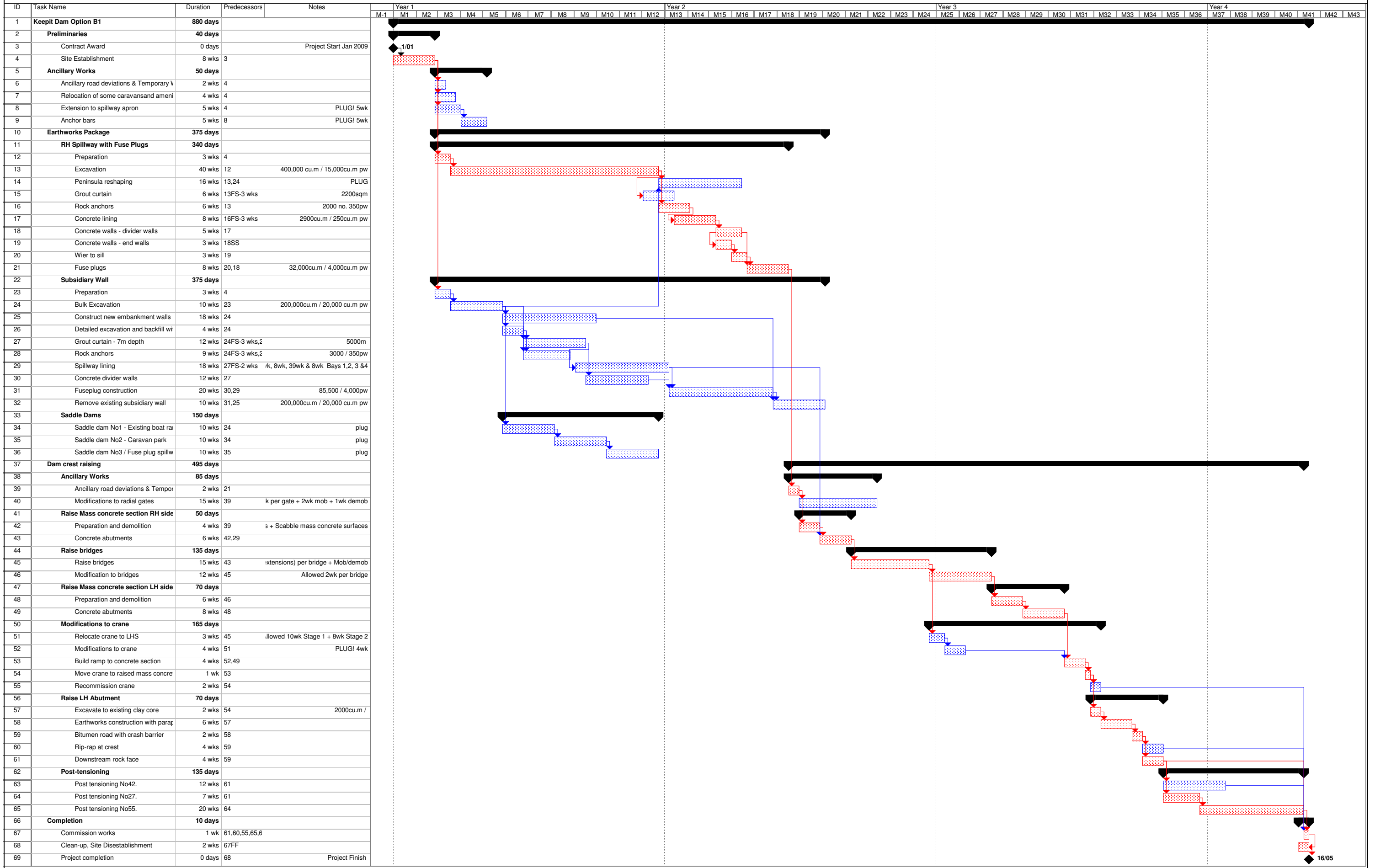


## **Appendix B**

---

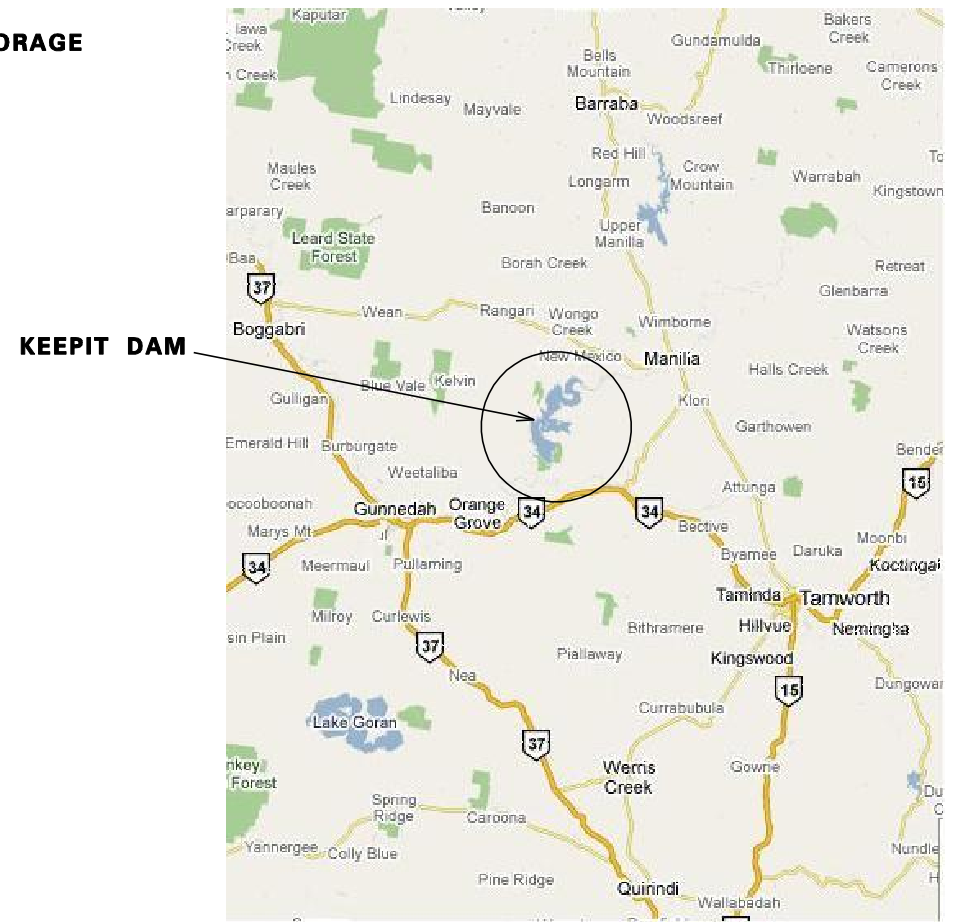
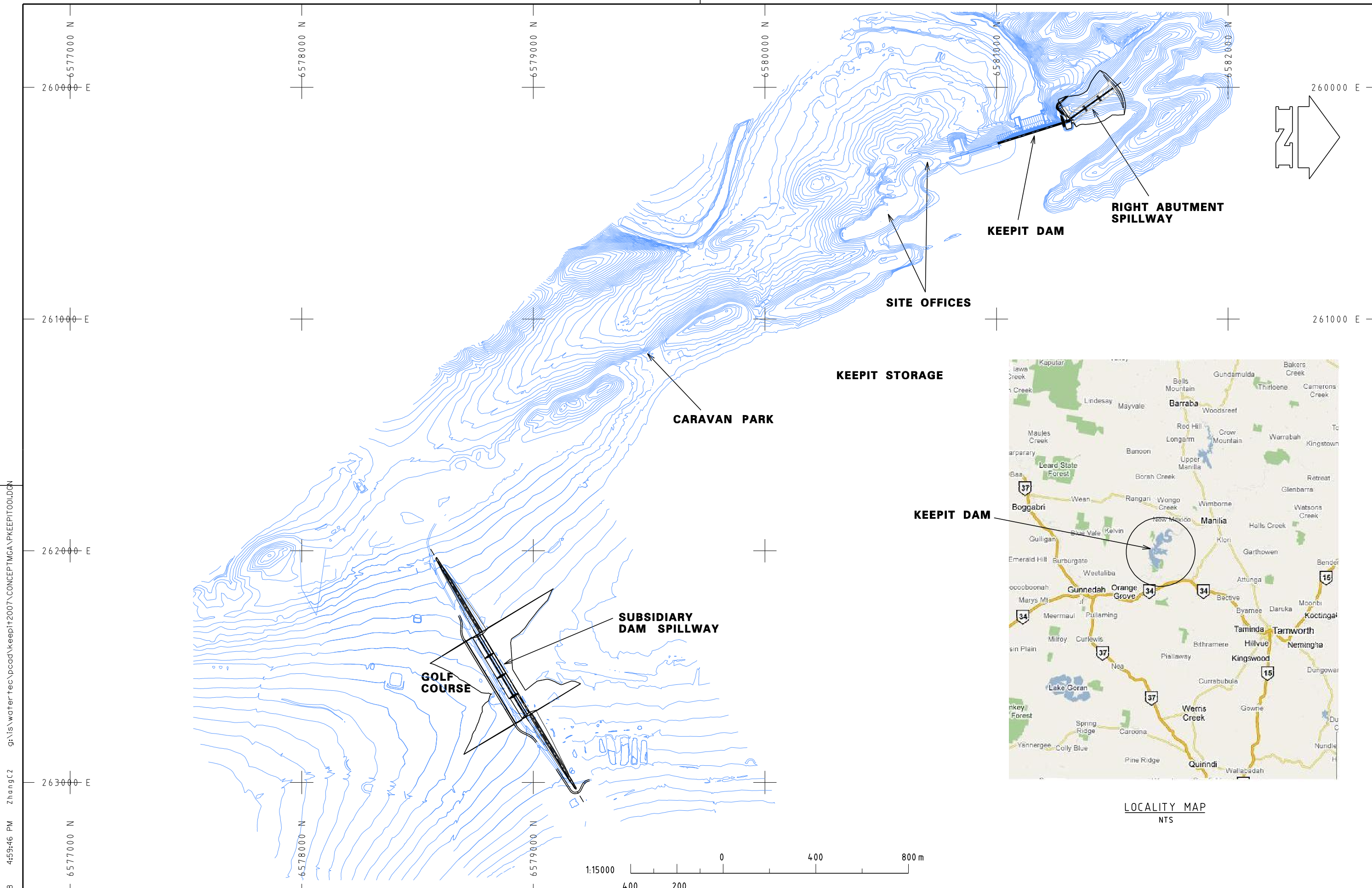
Concept design drawings and  
preliminary construction  
program

**Keepit Dam - Safety Upgrade**  
Draft indicative construction program 14/3/08



Project: Keepit Dam Program Rev1  
Date: Tue 25/03/08

Task		Progress		Summary		Rolled Up Progress		External Tasks		Group By Summary		Deadline
Critical Task		Milestone		Rolled Up Task		Rolled Up Milestone		Split		Project Summary		



LOCALITY MAP  
NTS

11/07/2008 4:59:46 PM ZhengC2 g:\s\water\tec\pccad\keepit2007\CONCEPTMGA\KKEEPIT00LDGN

0	ISSUED FOR REVIEW.		
MK	DETAILS OF AMENDMENTS	APPROVED	DATE

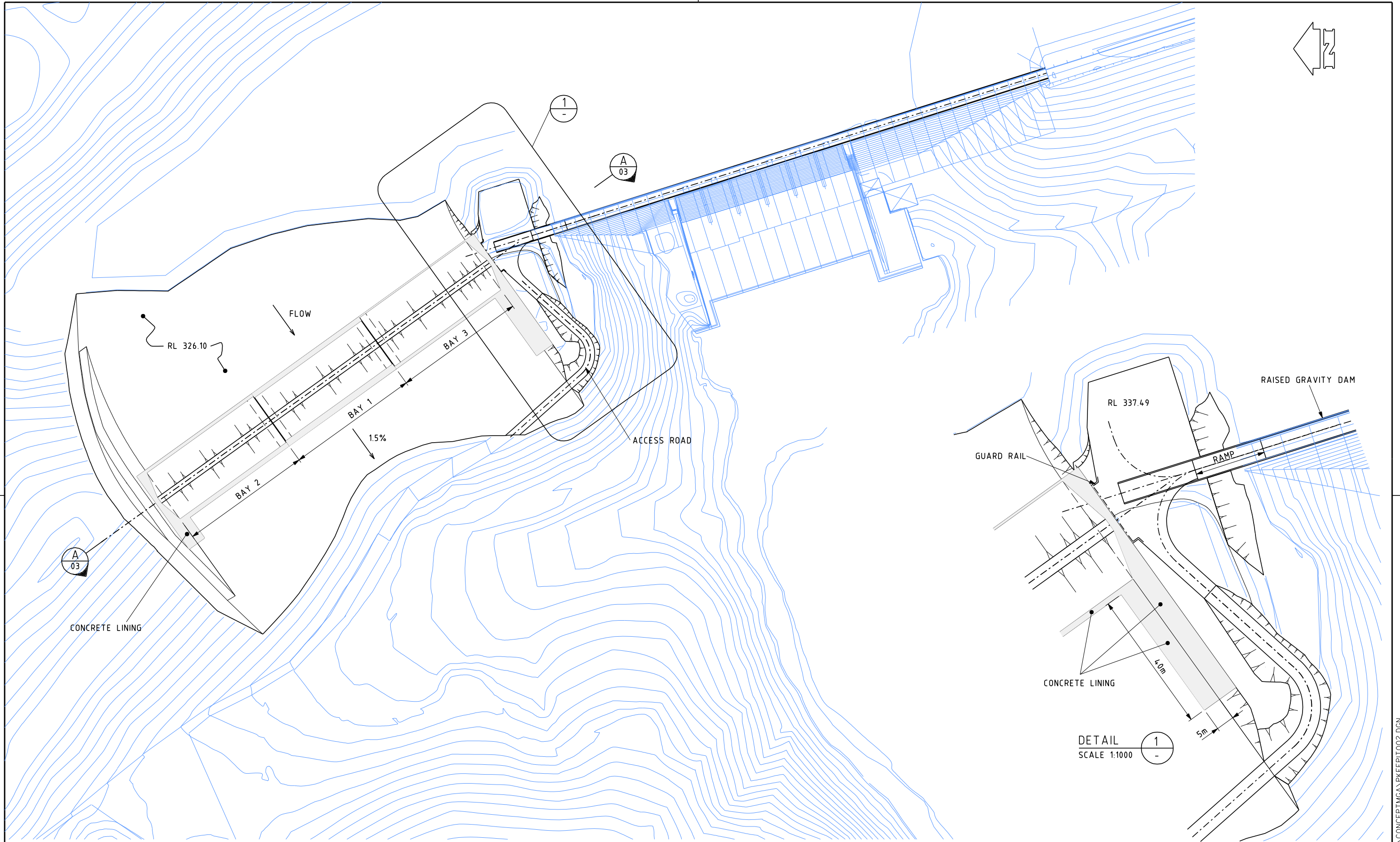
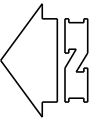
**DRAFT COPY**

JOHN LEE  
 Director General - NSW Department of Commerce  
 NSW WATER SOLUTIONS  
 DAMS AND CIVIL TECHNOLOGIES  
 LEVEL 13, MCKELL BUILDING  
 2-24 RAWSON PLACE  
 SYDNEY 2000  
 PHONE (02) 93727808 FAX (02) 93727822

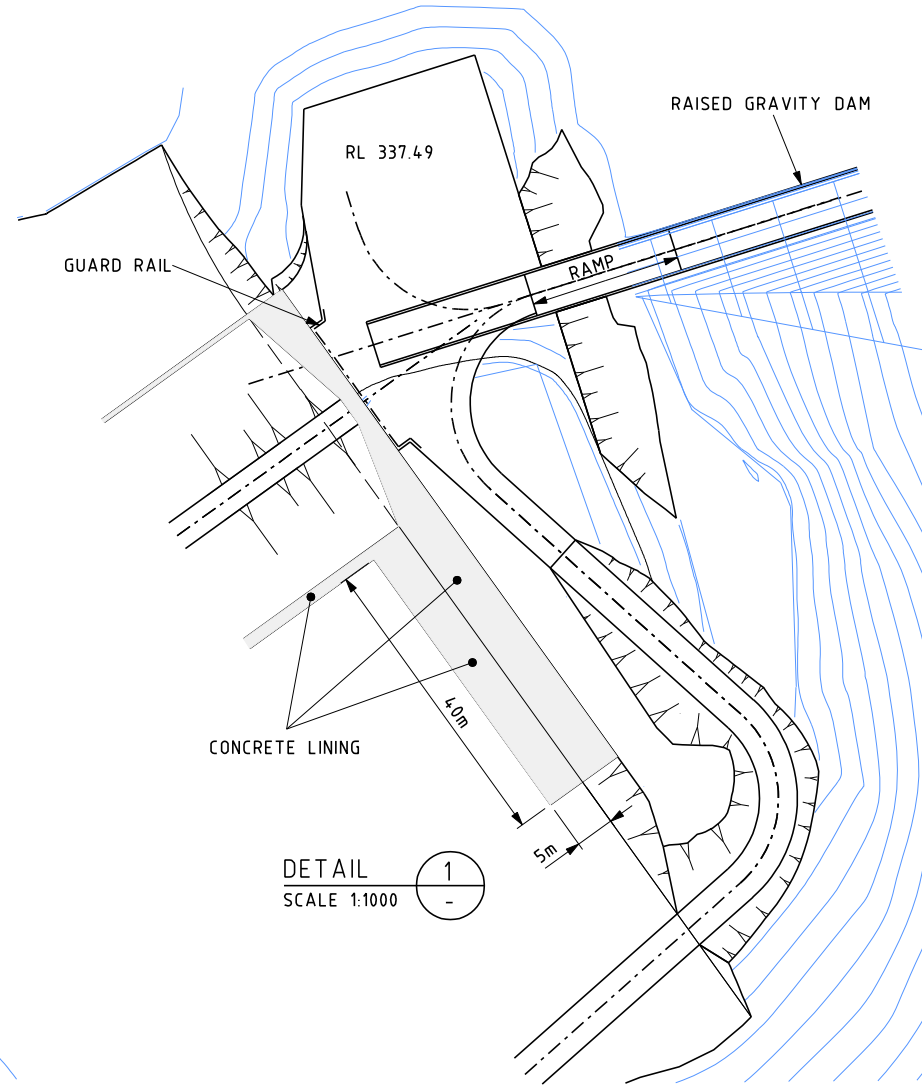
PLAN RM NO	
DESIGNED J. DIXON	S.P. ENGINEER J. DIXON
DRAFTED Y. BOSSON	P.E. DAMS AND CIVIL TECHNOLOGIES J.R. LENEHAN
CHECKED J. DIXON	



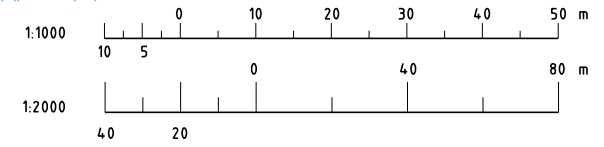
<b>KEEPIT DAM UPGRADE WORKS CONCEPT DESIGN</b>		NO IN SET
<b>GENERAL ARRANGEMENT</b>		FILE NO. DCF
		DRAWING NO. <b>08-01</b>
		REVISION 0



PLAN  
SCALE 1:2000



DETAIL  
SCALE 1:1000



11/07/2008 4:43:10 PM ZhengC2 g:\is\water\tec\pccad\keepit2007\CONCEPTMGA\KPEEPT002.DGN

0	ISSUED FOR REVIEW.		
MK	DETAILS OF AMENDMENTS	APPROVED	DATE

**DRAFT COPY**

JOHN LEE  
 Director General - NSW Department of Commerce  
 NSW WATER SOLUTIONS  
 DAMS AND CIVIL TECHNOLOGIES  
 LEVEL 13, McKELL BUILDING  
 2-24 RAWSON PLACE  
 SYDNEY 2000  
 PHONE (02) 93727808 FAX (02) 93727822

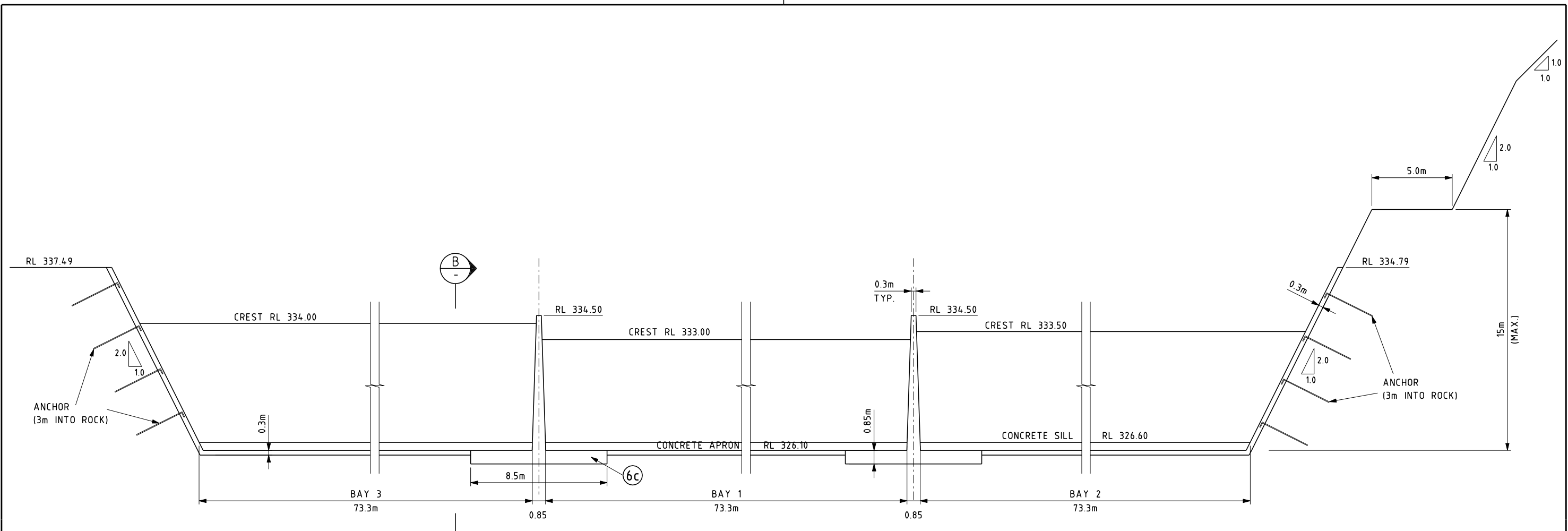
DESIGNED	S.P. ENGINEER
J. DIXON	J. DIXON
DRAFTED	P.E. DAMS AND CIVIL TECHNOLOGIES
Y. BOSSON	J.R. LENEHAN
CHECKED	
J. DIXON	



**KEEPIT DAM UPGRADE WORKS**  
**CONCEPT DESIGN**  
**RIGHT ABUTMENT SPILLWAY**  
**GENERAL ARRANGEMENT**

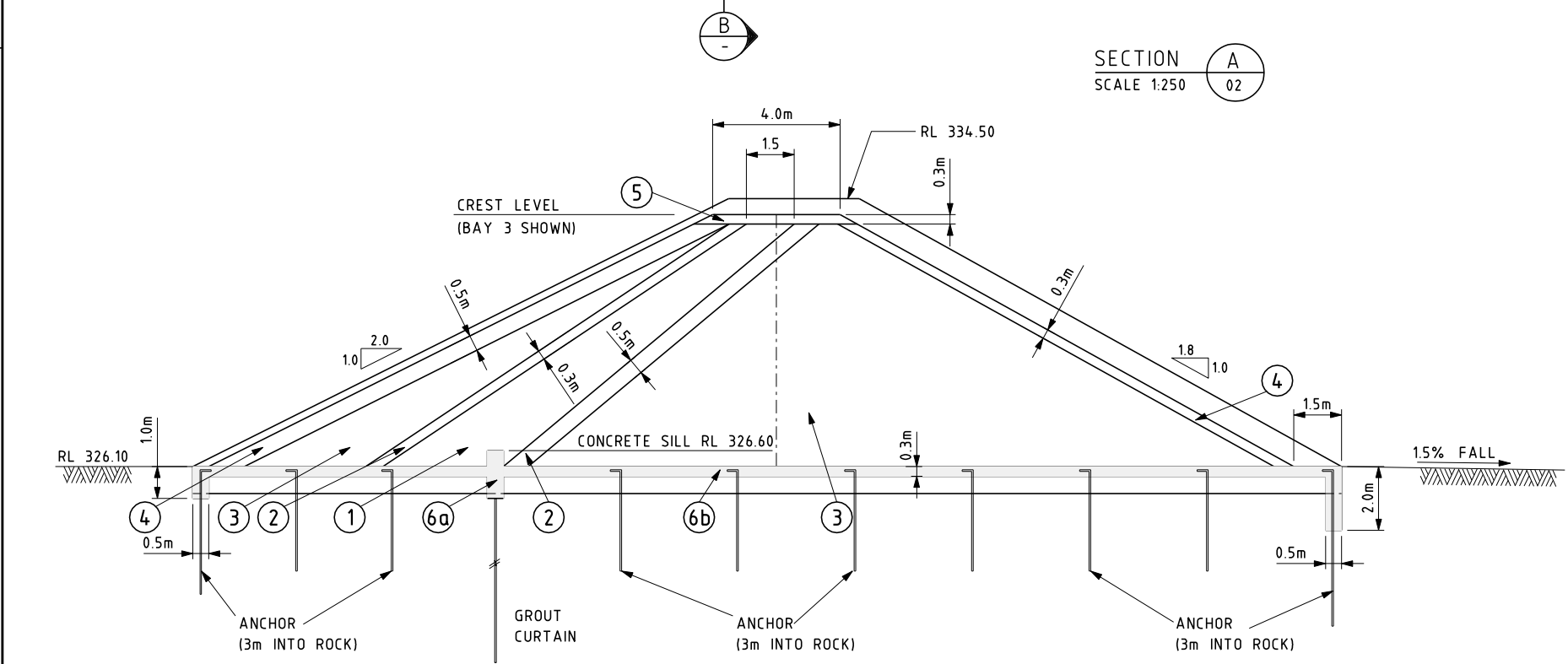
NO IN SET	
FILE NO.	DCF
DRAWING NO.	<b>08-02</b>
REVISION	0

g:\is\water\ec\pccad\keepit\2007\CONCEPTMGA\KEEPIT003.DGN  
 ZhongC2 4:26:33 PM 11/07/2008

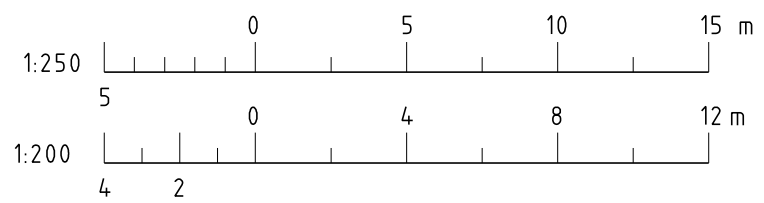


SECTION A  
 SCALE 1:250

ZONE	DESCRIPTION	SPECIFICATION
1	CORE	IMPERVIOUS MATERIAL CI/CL OBTAINED FROM APPROVED SOURCE
2	SAND FILTER	UNIFORMLY GRADED SAND FROM APPROVED SOURCE
3	SAND/GRAVEL	UNIFORMLY GRADED SAND/GRAVEL FROM APPROVED SOURCE
4	ROCKFILL	SOUND FREE DRAINING ROCKFILL FROM APPROVED SOURCE. MAXIMUM SIZE 150mm
5	GRAVEL SURFACE	WELL GRADED GRAVEL. $D_{65} < 0.0075$ . MATERIAL TO MEET CONCRETE AGGREGATE SPECIFICATION
6a	CONCRETE SILL	-
6b	CONCRETE APRON	-
6c	CONCRETE DIVIDER	-



SECTION B  
 SCALE 1:200



0	ISSUED FOR REVIEW.		
MK	DETAILS OF AMENDMENTS	APPROVED	DATE

**DRAFT COPY**

JOHN LEE  
 Director General - NSW Department of Commerce  
 NSW WATER SOLUTIONS  
 DAMS AND CIVIL TECHNOLOGIES  
 LEVEL 13, MCKELL BUILDING  
 2-24 RAWSON PLACE  
 SYDNEY 2000  
 PHONE (02) 93727808 FAX (02) 93727822

DESIGNED	J. DIXON	S.P. ENGINEER	J. DIXON
DRAFTED	Y. BOSSON	P.E. DAMS AND CIVIL TECHNOLOGIES	J.R. LENEHAN
CHECKED	J. DIXON		



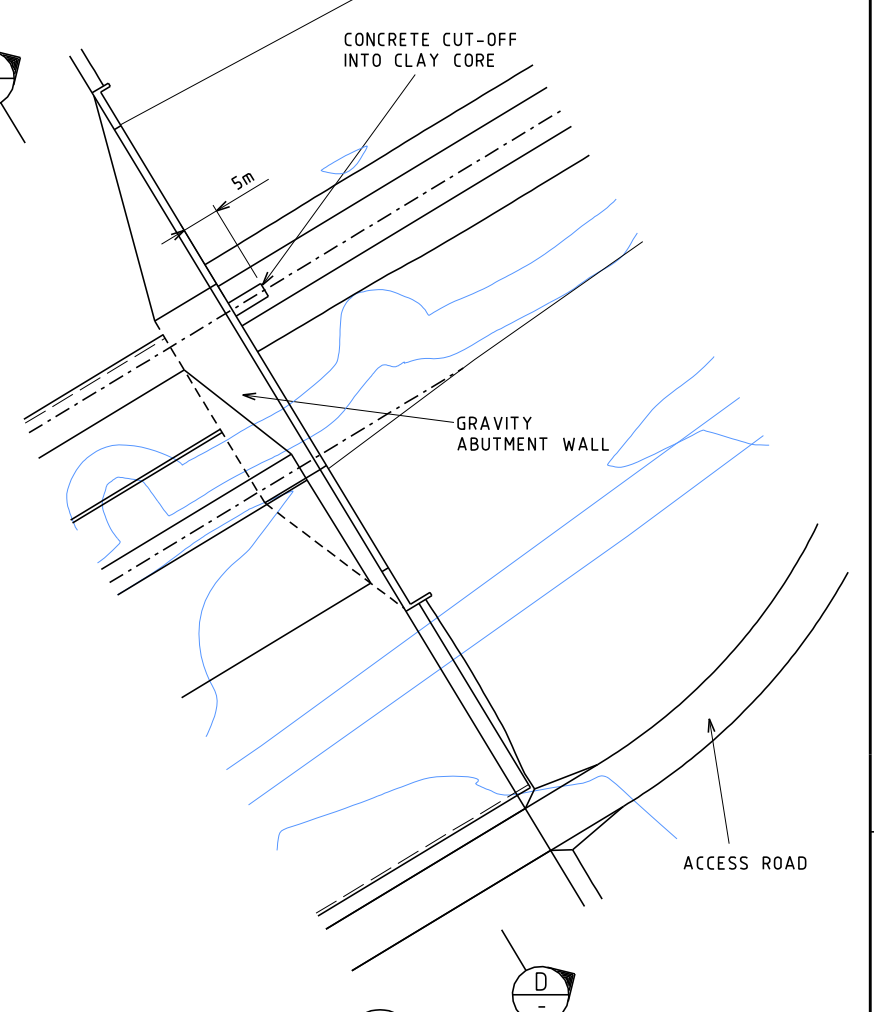
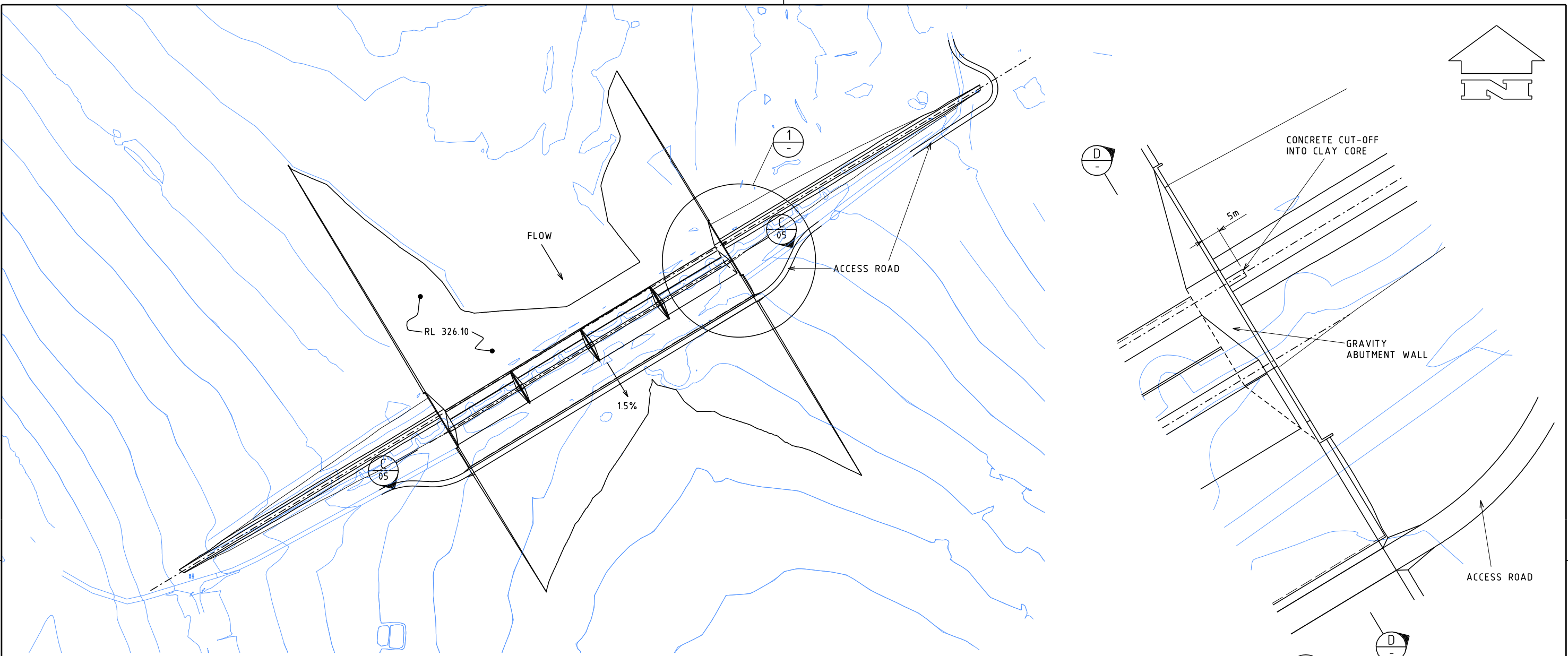
**KEEPIT DAM UPGRADE WORKS  
 CONCEPT DESIGN**

**RIGHT ABUTMENT SPILLWAY  
 SECTIONS**

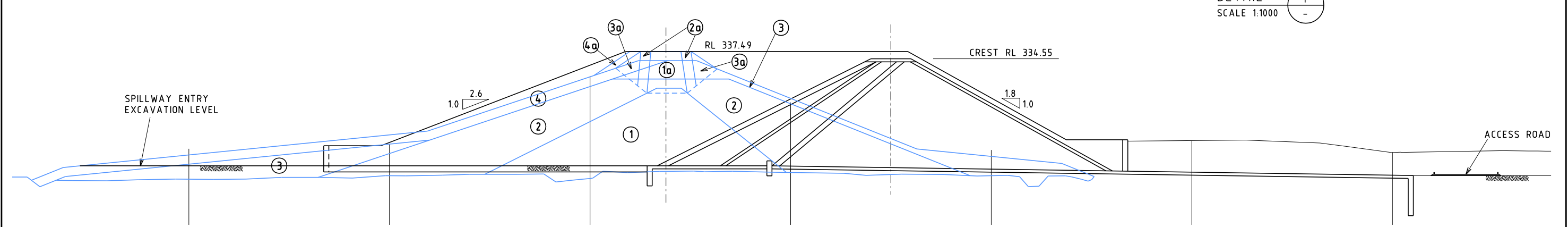
NO. IN SET: 1  
 FILE NO.: DCF  
 DRAWING NO.: **08-03**  
 REVISION 0

g:\is\water\ec\pccad\keepit\2007\CONCEPTMGA\KEEPIT003.DGN

g:\is\water\ec\pccad\keepit\2007\CONCEPTMGA\KPEEPT004.DGN  
ZhengC2  
4:44:01 PM  
11/07/2008



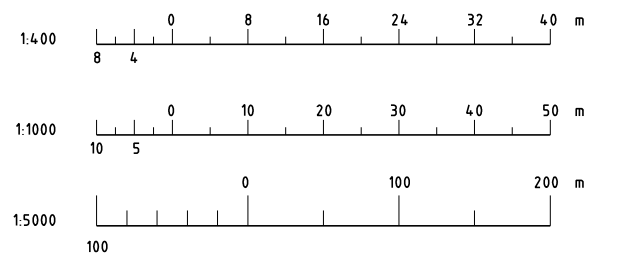
DETAIL  
SCALE 1:1000



SECTION  
SCALE 1:400

ZONE	DESCRIPTION
1	CLAY CORE (EXISTING DAM)
1a	CLAY CORE (RAISED DAM)
2	GRAVEL (EXISTING DAM)
2a	GRAVEL/SAND FILTER (RAISED DAM)

ZONE	DESCRIPTION
3	ROCKFILL (EXISTING DAM)
3a	ROCKFILL (RAISED DAM)
4	RIPRAP (EXISTING DAM)
4a	RIPRAP (RAISED DAM)



NO	ISSUED FOR REVIEW	APPROVED	DATE
0	ISSUED FOR REVIEW		

**DRAFT COPY**

JOHN LEE  
Director General - NSW Department of Commerce  
NSW WATER SOLUTIONS  
DAMS AND CIVIL TECHNOLOGIES  
LEVEL 13, MCKELL BUILDING  
2-24 RAWSON PLACE  
SYDNEY 2000  
PHONE (02) 93727808 FAX (02) 93727822

DESIGNED	S.P. ENGINEER
J. DIXON	J. DIXON
DRAFTED	P.E. DAMS AND CIVIL TECHNOLOGIES
Y. BOSSON	J.R. LENEHAN
CHECKED	
J. DIXON	

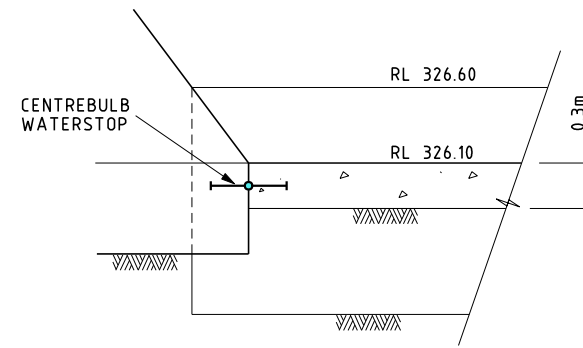


**KEEPIT DAM UPGRADE WORKS  
CONCEPT DESIGN**

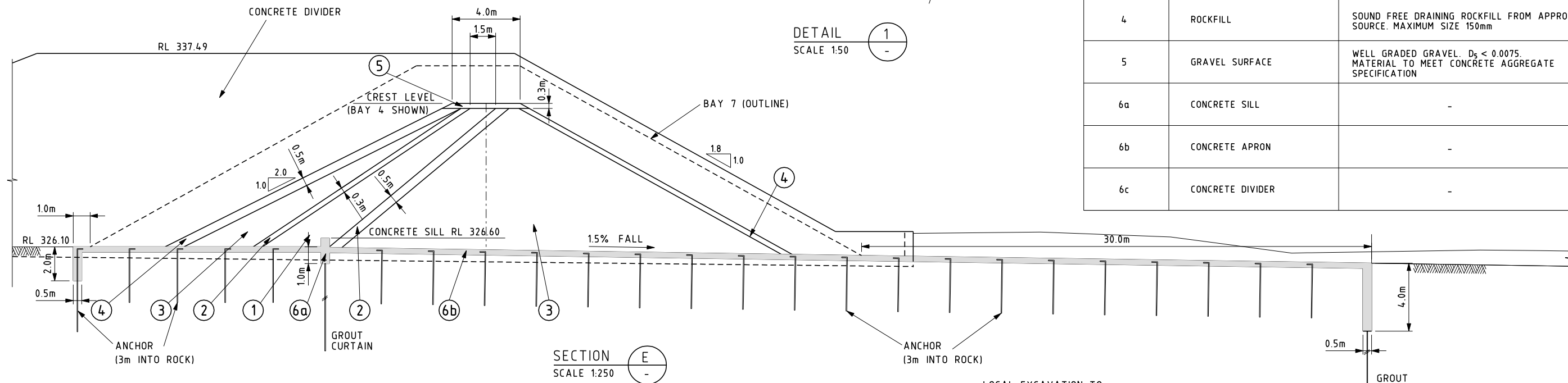
**SUBSIDIARY DAM SPILLWAY  
GENERAL ARRANGEMENT AND DETAILS**

NO IN SET  
FILE NO. DCF  
DRAWING NO. **08-04**  
REVISION 0

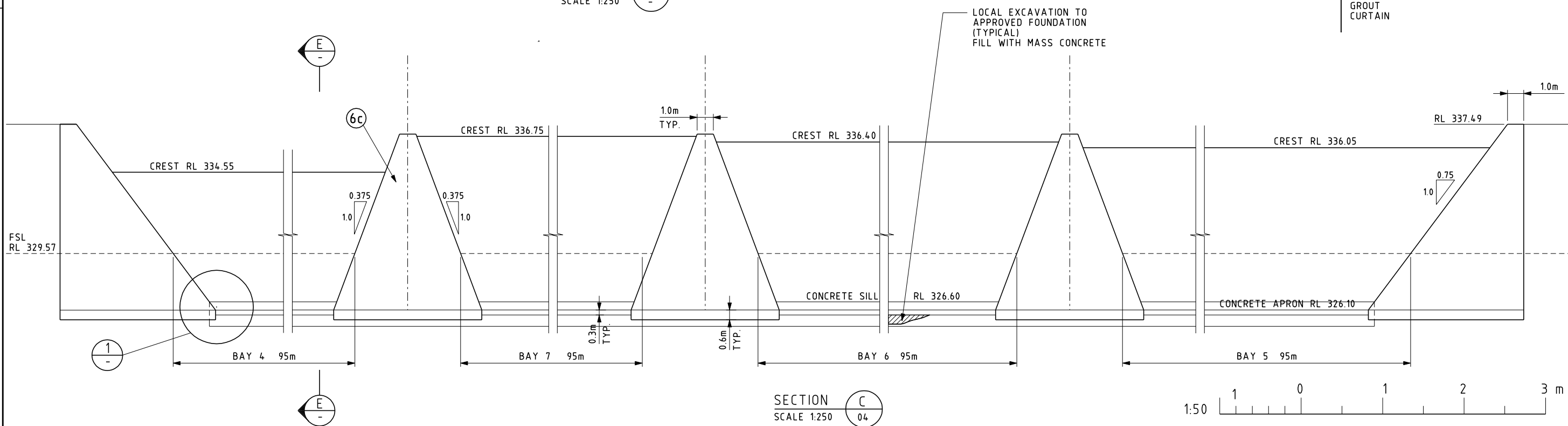
ZONE	DESCRIPTION	SPECIFICATION
1	CORE	IMPERVIOUS MATERIAL CI/CL OBTAINED FROM EXCAVATION OF EXISTING EMBANKMENT
2	SAND FILTER	UNIFORMLY GRADED SAND FROM APPROVED SOURCE
3	SAND/GRAVEL	UNIFORMLY GRADED SAND/GRAVEL FROM APPROVED SOURCE
4	ROCKFILL	SOUND FREE DRAINING ROCKFILL FROM APPROVED SOURCE. MAXIMUM SIZE 150mm
5	GRAVEL SURFACE	WELL GRADED GRAVEL. $D_{50} < 0.0075$ . MATERIAL TO MEET CONCRETE AGGREGATE SPECIFICATION
6a	CONCRETE SILL	-
6b	CONCRETE APRON	-
6c	CONCRETE DIVIDER	-



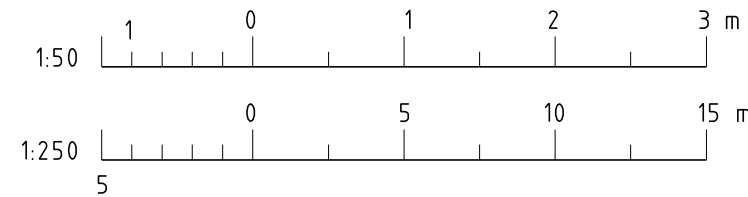
DETAIL 1  
SCALE 1:50



SECTION E  
SCALE 1:250



SECTION C  
SCALE 1:250



II/07/2008 4:20:08 PM ZhangC2 g:\is\water\tec\pcod\keepit2007\CONCEPTMGA\KKEEPIT005.DGN

g:\is\water\tec\pcod\keepit2007\CONCEPTMGA\KKEEPIT005.DGN

**DRAFT COPY**

JOHN LEE  
Director General - NSW Department of Commerce  
NSW WATER SOLUTIONS  
DAMS AND CIVIL TECHNOLOGIES  
LEVEL 13, McKELL BUILDING  
2-24 RAWSON PLACE  
SYDNEY 2000  
PHONE (02) 93727808 FAX (02) 93727822

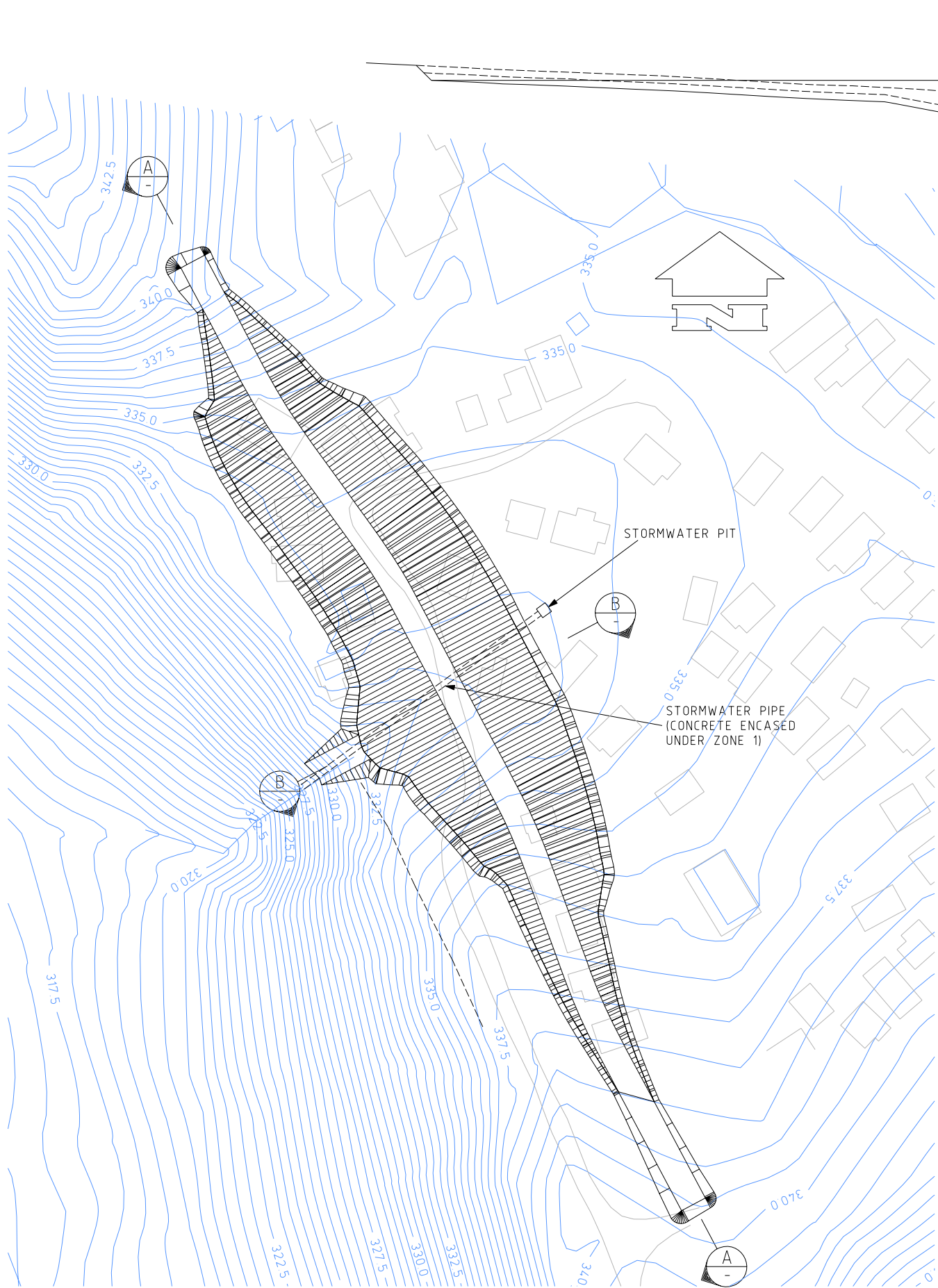
DESIGNED	S.P. ENGINEER
J. DIXON	J. DIXON
DRAFTED	P.E. DAMS AND CIVIL TECHNOLOGIES
Y. BOSSON	J.R. LENEHAN
CHECKED	
J. DIXON	



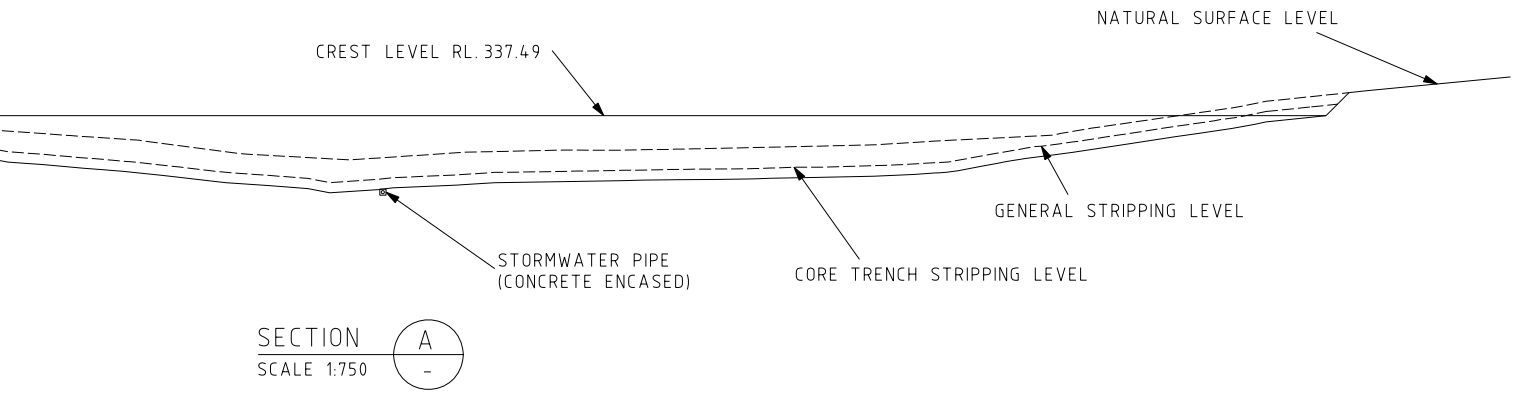
**KEEPIT DAM UPGRADE WORKS  
CONCEPT DESIGN**

**SUBSIDIARY DAM SPILLWAY  
SECTIONS**

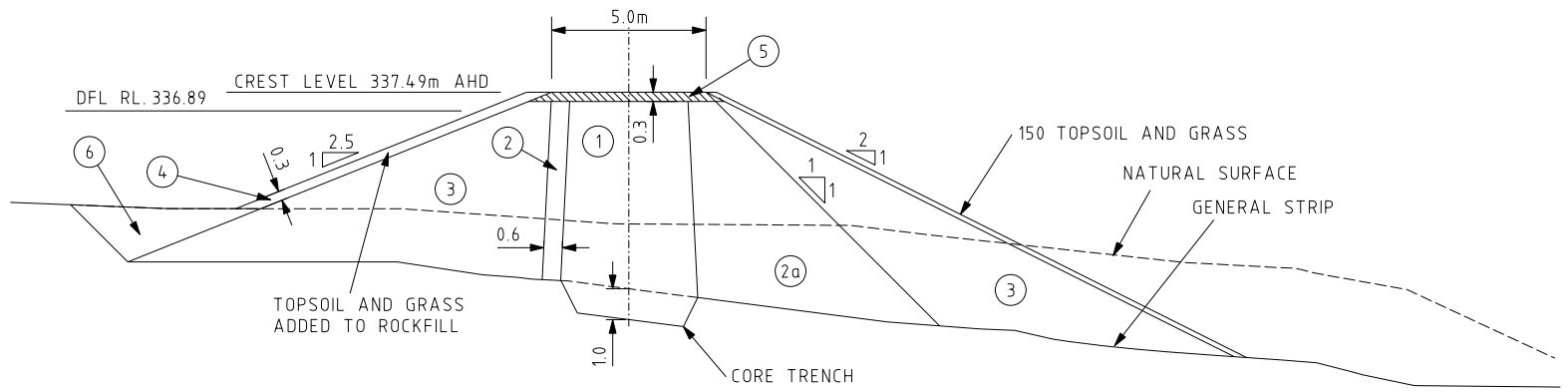
NO. IN SET	
FILE NO.	DCF
DRAWING NO.	08-05
REVISION	0



SADDLE DAM No. 3  
PLAN  
SCALE 1:1000

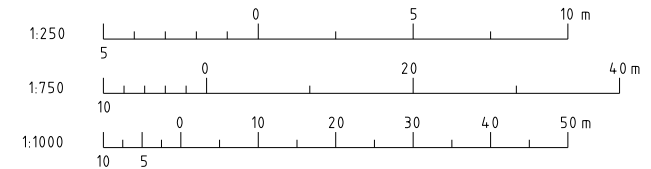


SECTION A  
SCALE 1:750



SECTION B  
SCALE 1:250

- LEGEND**
- ZONE 1 - CLAY CORE
  - ZONE 2 - FINE FILTER
  - ZONE 2a - SAND/GRAVEL (EX SUBSIDIARY DAM)
  - ZONE 3 - ROCKFILL (EX SUBSIDIARY DAM)
  - ZONE 4 - RIP RAP
  - ZONE 5 - GRAVEL PAVEMENT
  - ZONE 6 - RANDOM FILL



9/09/2008 12:30 PM Bosson Y g:\is\water\tec\p\cod\KEEPIT2007\CONCEPTMGA\KEEPIT008.DGN

NO	DESCRIPTION	DESIGNED	DATE
1	SADDLEDAM ARRANGEMENT AND DETAILS MODIFIED.	J.D.	5.09.08
0	ISSUED FOR REVIEW.	J.D.	29.08.08
MK	DETAILS OF AMENDMENTS	APPROVED	DATE

JOHN LEE  
Director General - NSW Department of Commerce

NSW WATER SOLUTIONS  
DAMS AND CIVIL TECHNOLOGIES  
LEVEL 13, MCKELL BUILDING  
2-24 RAWSON PLACE  
SYDNEY 2000  
PHONE (02) 93727808 FAX (02) 93727822

PLAN RM NO	DESIGNED	S.P. ENGINEER
	J. DIXON	
	Y. BOSSON	P.E. DAMS AND CIVIL TECHNOLOGIES
	CHECKED	


**KEEPIT DAM UPGRADE WORKS  
CONCEPT DESIGN - STAGE 1**

**SADDLE DAM 3  
ARRANGEMENT AND DETAILS**

NO IN SET	
FILE NO.	DCF 5484
DRAWING NO.	<b>08-08</b>
REVISION 1	